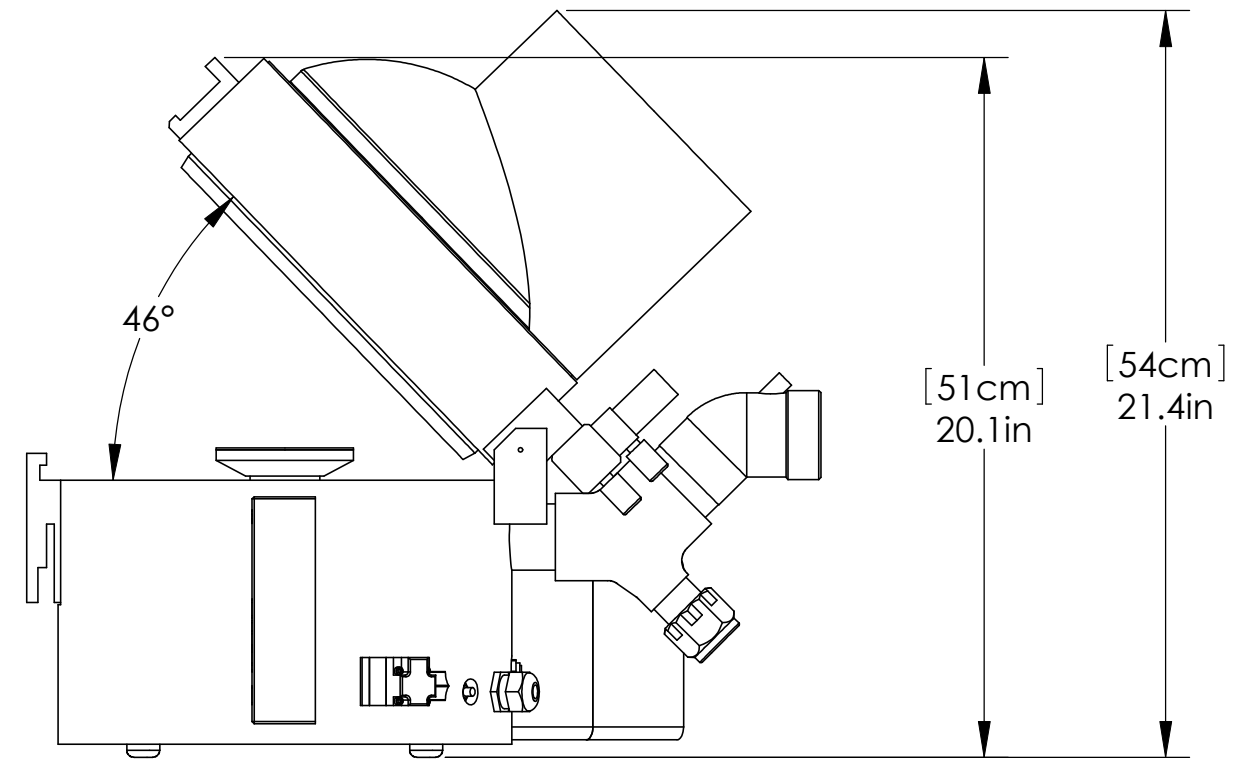
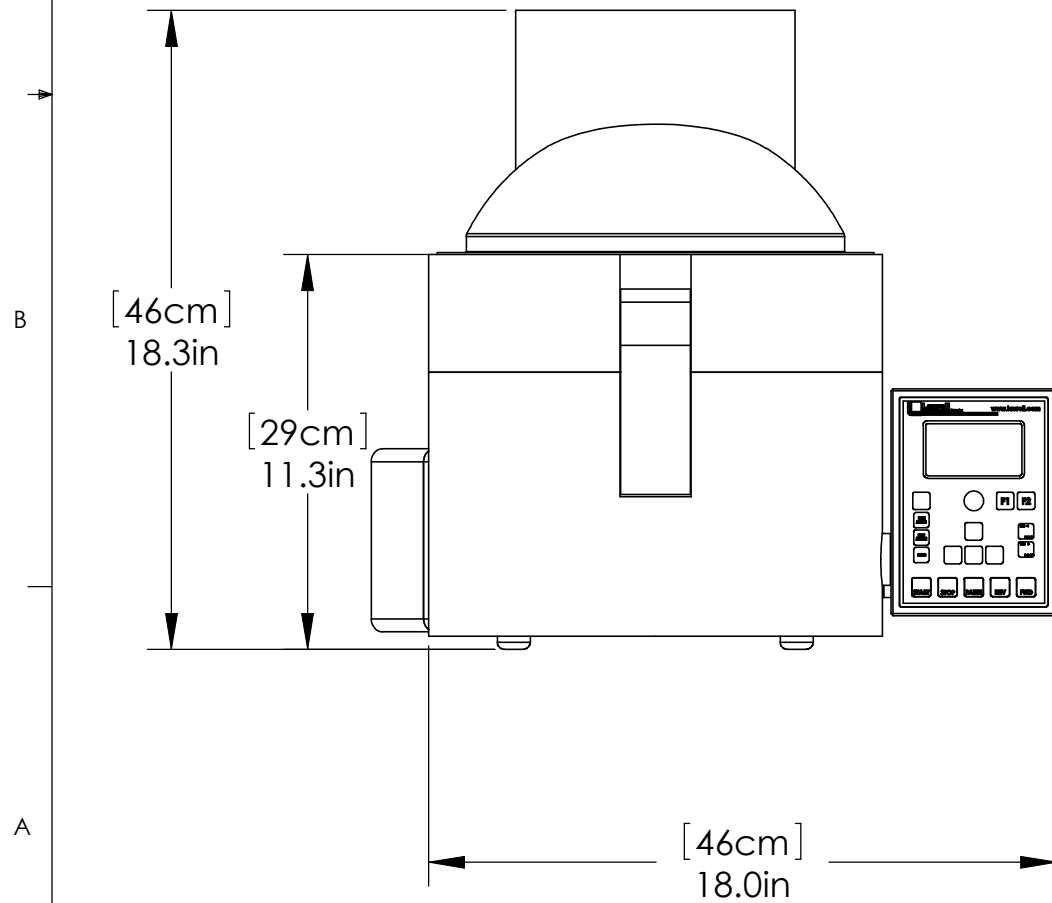
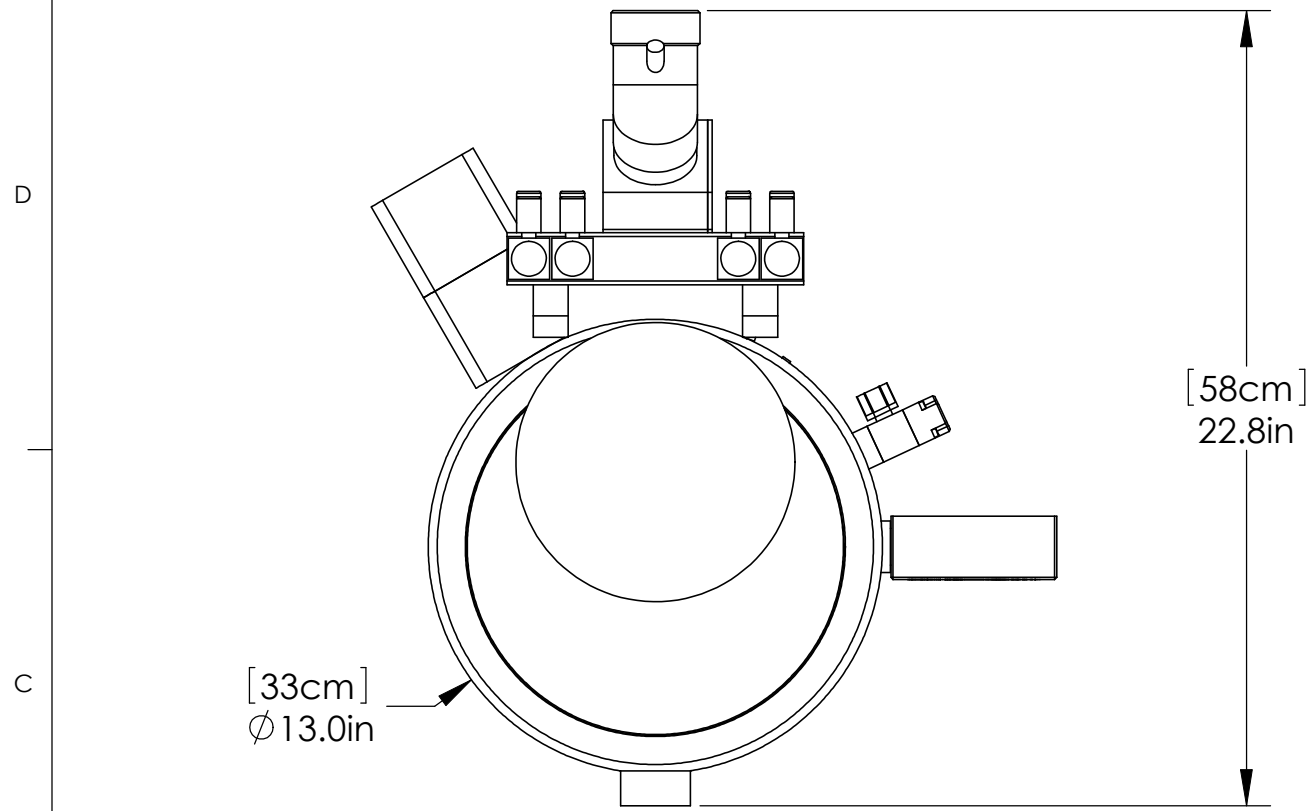


REVISIONS			
REV.	DESCRIPTION	BY	DATE
A	INITIAL RELEASE	JJ	9/29/2010

QUICK REFERENCE			
CONTROLLER	CASE SIZE	MOUNTING	VERSION
650	8	DESKTOP	EDC



PROPRIETARY AND CONFIDENTIAL
 THE INFORMATION CONTAINED IN THIS DRAWING IS THE SOLE PROPERTY OF LAURELL TECHNOLOGIES. ANY REPRODUCTION IN PART OR AS A WHOLE WITHOUT THE WRITTEN PERMISSION OF LAURELL TECHNOLOGIES IS PROHIBITED.

		UNLESS OTHERWISE SPECIFIED:	NAME	DATE		
		DIMENSIONS ARE IN INCHES	DRAWN	JJ		9/29/10
		TOLERANCES:	CHECKED			
		FRACTIONAL ±.015	ENG APPR.			
		ANGULAR: MACH ± 1/2°	MFG APPR.			
		TWO PLACE DECIMAL ±.01	Q.A.			
		THREE PLACE DECIMAL ±.005	COMMENTS:	ALL PARTS MUST BE CLEAN AND FREE OF BURRS. BREAK ALL SHARP EDGES, .015" RADIUS MAX.		
		INTERPRET GEOMETRIC TOLERANCING PER:				
		MATERIAL				
NEXT ASSY	USED ON	FINISH				
APPLICATION		DO NOT SCALE DRAWING				
		TITLE:				
		DIMENSIONAL DRAWING, EDC-650-8NPP				
SIZE	DWG. NO.	REV				
B	10077851	A				
SCALE: 1:8	WEIGHT:	SHEET 1 OF 1				