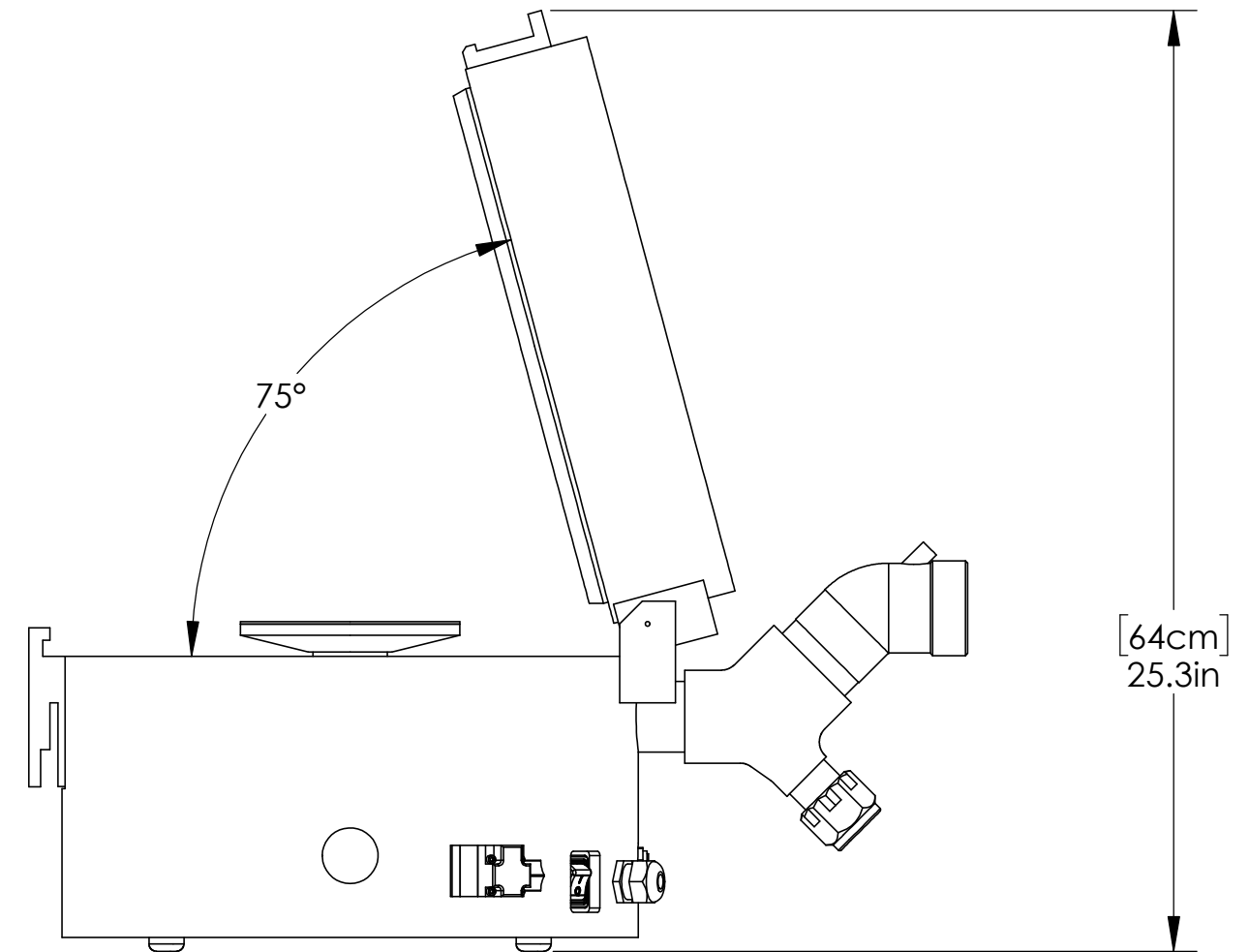
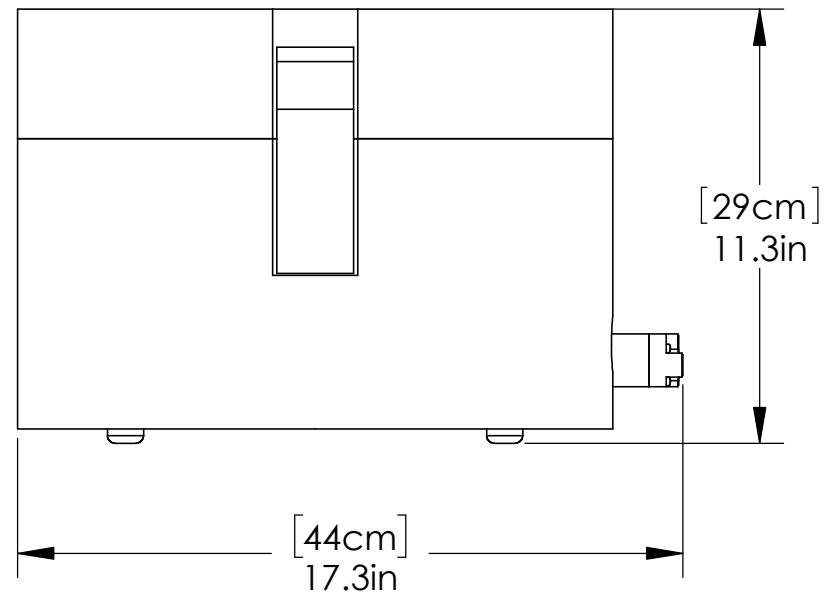
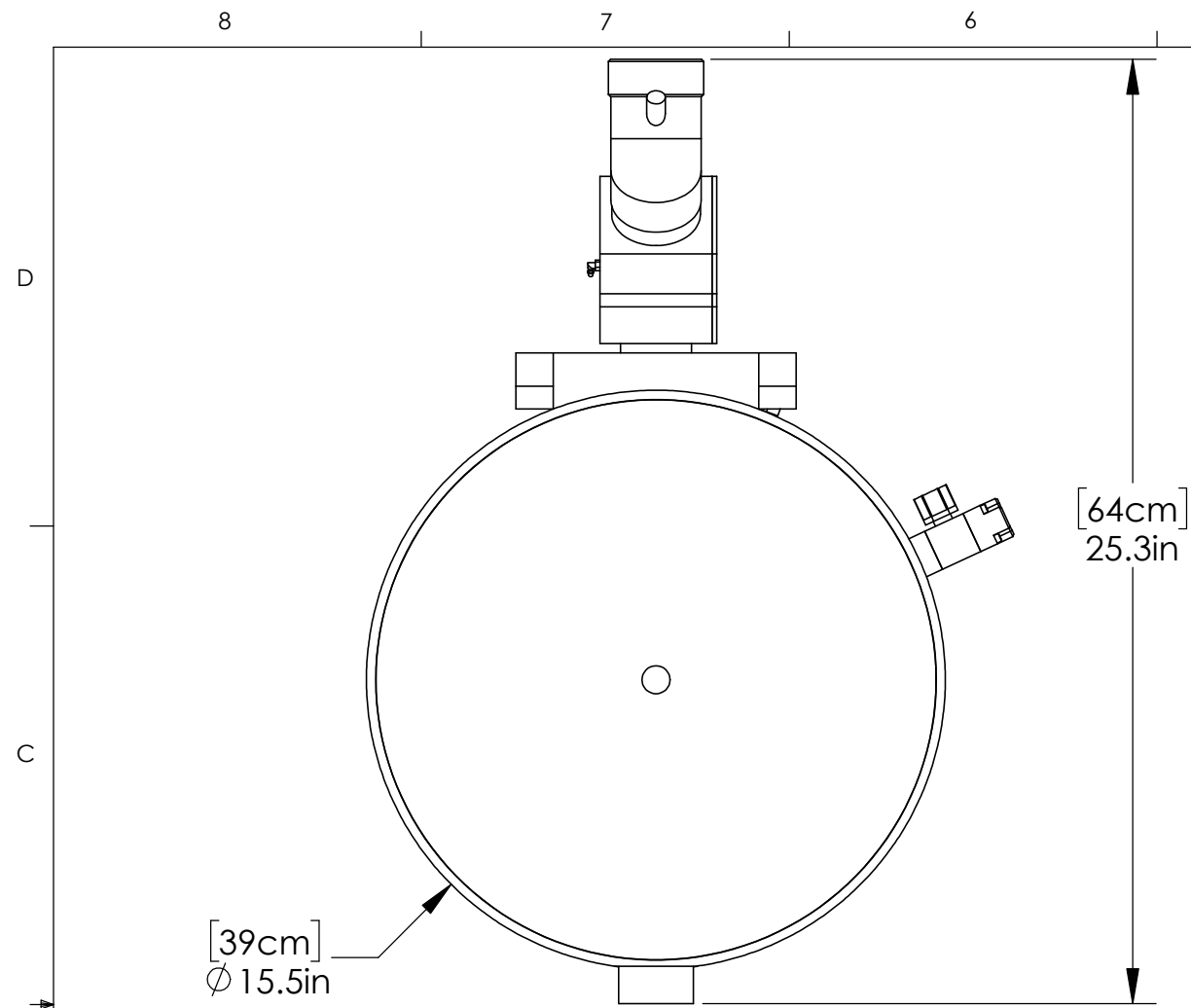


REVISIONS			
REV.	DESCRIPTION	BY	DATE
A	INITIAL RELEASE	JJ	9/20/2017

QUICK REFERENCE			
CONTROLLER	CASE SIZE	MOUNTING	VERSION
650	15	DESKTOP	HL



PROPRIETARY AND CONFIDENTIAL
 THE INFORMATION CONTAINED IN THIS DRAWING IS THE SOLE PROPERTY OF LAURELL TECHNOLOGIES. ANY REPRODUCTION IN PART OR AS A WHOLE WITHOUT THE WRITTEN PERMISSION OF LAURELL TECHNOLOGIES IS PROHIBITED.

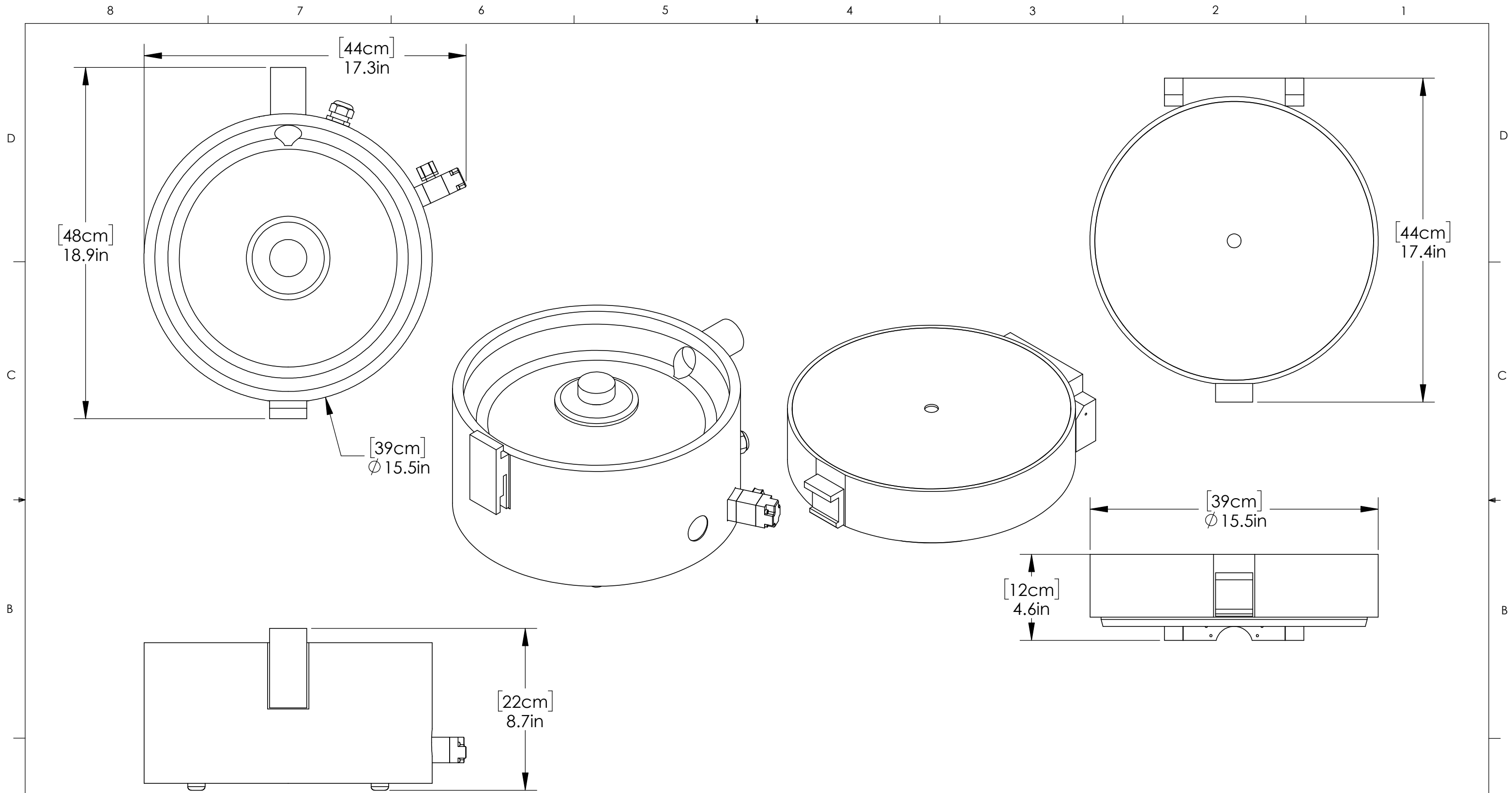
		UNLESS OTHERWISE SPECIFIED:		NAME	DATE
		DIMENSIONS ARE IN INCHES	DRAWN	JJ	9/20/17
		TOLERANCES:	CHECKED		
		FRACTIONAL ± .015	ENG APPR.		
		ANGULAR: MACH ± 1/2°	MFG APPR.		
		TWO PLACE DECIMAL ± .01	Q.A.		
		THREE PLACE DECIMAL ± .005	COMMENTS:	ALL PARTS MUST BE CLEAN AND FREE OF BURRS. BREAK ALL SHARP EDGES, .015" RADIUS MAX.	
		INTERPRET GEOMETRIC TOLERANCING PER:			
		MATERIAL			
		FINISH			
NEXT ASSY	USED ON				
APPLICATION		DO NOT SCALE DRAWING			

Laurell
 TECHNOLOGIES CORPORATION

TITLE: **DIMENSIONAL DRAWING, HL-650-15NPPB**

SIZE	DWG. NO.	REV
B	10078501	A

SCALE: 1:8 WEIGHT: SHEET 1 OF 2



PROPRIETARY AND CONFIDENTIAL
 THE INFORMATION CONTAINED IN THIS DRAWING IS THE SOLE PROPERTY OF LAURELL TECHNOLOGIES. ANY REPRODUCTION IN PART OR AS A WHOLE WITHOUT THE WRITTEN PERMISSION OF LAURELL TECHNOLOGIES IS PROHIBITED.

		UNLESS OTHERWISE SPECIFIED:		NAME	DATE
		DIMENSIONS ARE IN INCHES		DRAWN	JJ 9/20/17
		TOLERANCES:		CHECKED	
		FRACTIONAL $\pm .015$		ENG APPR.	
		ANGULAR: MACH $\pm 1/2^\circ$		MFG APPR.	
		TWO PLACE DECIMAL $\pm .01$		Q.A.	
		THREE PLACE DECIMAL $\pm .005$		COMMENTS:	
		INTERPRET GEOMETRIC TOLERANCING PER:		ALL PARTS MUST BE CLEAN AND FREE OF BURRS. BREAK ALL SHARP EDGES, .015" RADIUS MAX.	
		MATERIAL			
		FINISH			
NEXT ASSY	USED ON	DO NOT SCALE DRAWING		SIZE B	DWG. NO. 10078501
APPLICATION				SCALE: 1:4	WEIGHT:
				REV A	
				SHEET 2 OF 2	



TITLE: DIMENSIONAL DRAWING, HL-650-15NPPB