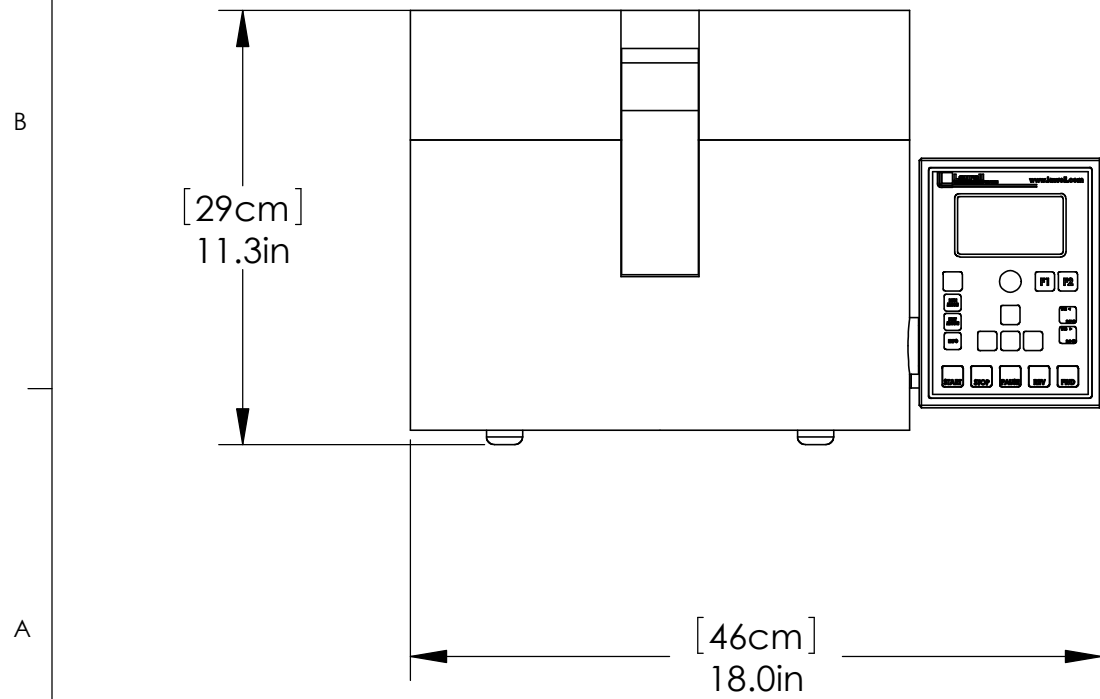
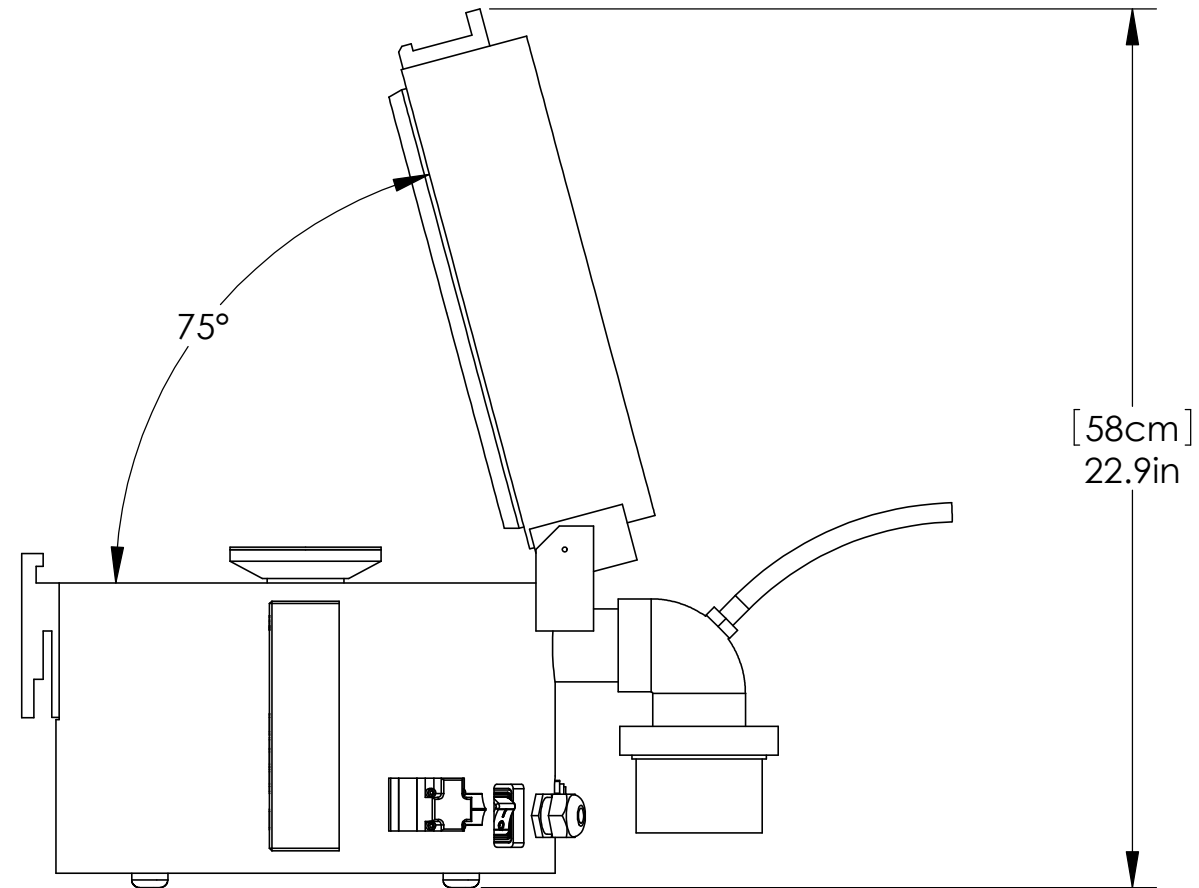
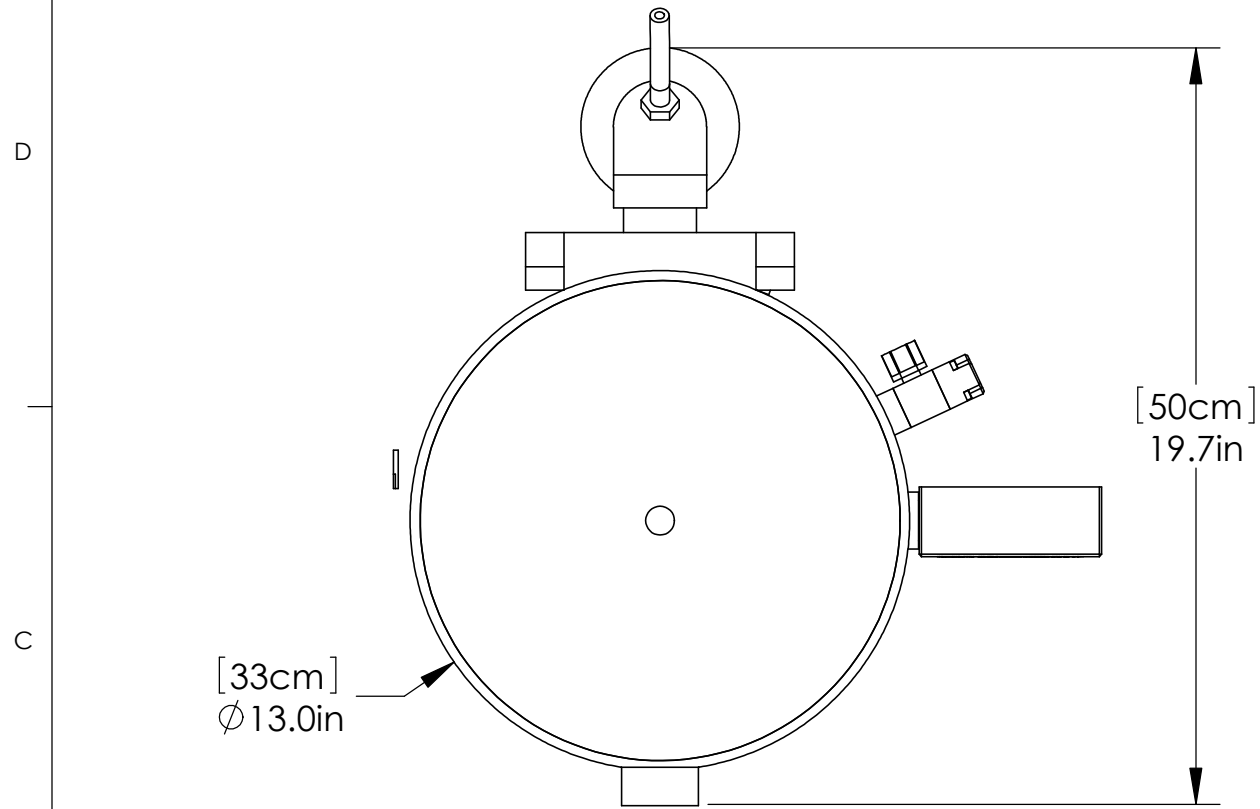


REVISIONS			
REV.	DESCRIPTION	BY	DATE
A	INITIAL RELEASE	JJ	9/29/2010

QUICK REFERENCE			
CONTROLLER	CASE SIZE	MOUNTING	VERSION
650	8	DESKTOP	



PROPRIETARY AND CONFIDENTIAL
 THE INFORMATION CONTAINED IN THIS DRAWING IS THE SOLE PROPERTY OF LAURELL TECHNOLOGIES. ANY REPRODUCTION IN PART OR AS A WHOLE WITHOUT THE WRITTEN PERMISSION OF LAURELL TECHNOLOGIES IS PROHIBITED.

		UNLESS OTHERWISE SPECIFIED:				NAME		DATE			
		DIMENSIONS ARE IN INCHES		DRAWN		JJ		9/29/10			
		TOLERANCES:		CHECKED							
		FRACTIONAL $\pm .015$		ENG APPR.							
		ANGULAR: MACH $\pm 1/2^\circ$		MFG APPR.							
		TWO PLACE DECIMAL $\pm .01$		Q.A.							
		THREE PLACE DECIMAL $\pm .005$		COMMENTS:							
		INTERPRET GEOMETRIC TOLERANCING PER:		ALL PARTS MUST BE CLEAN AND FREE OF BURRS. BREAK ALL SHARP EDGES, .015" RADIUS MAX.							
		MATERIAL				SIZE		DWG. NO.		REV	
NEXT ASSY		USED ON				B		10077801		A	
APPLICATION		DO NOT SCALE DRAWING				SCALE: 1:8		WEIGHT:		SHEET 1 OF 1	



TITLE:
 DIMENSIONAL DRAWING, WS-650-8NPP